



Oso SuperStream Installation Instructions

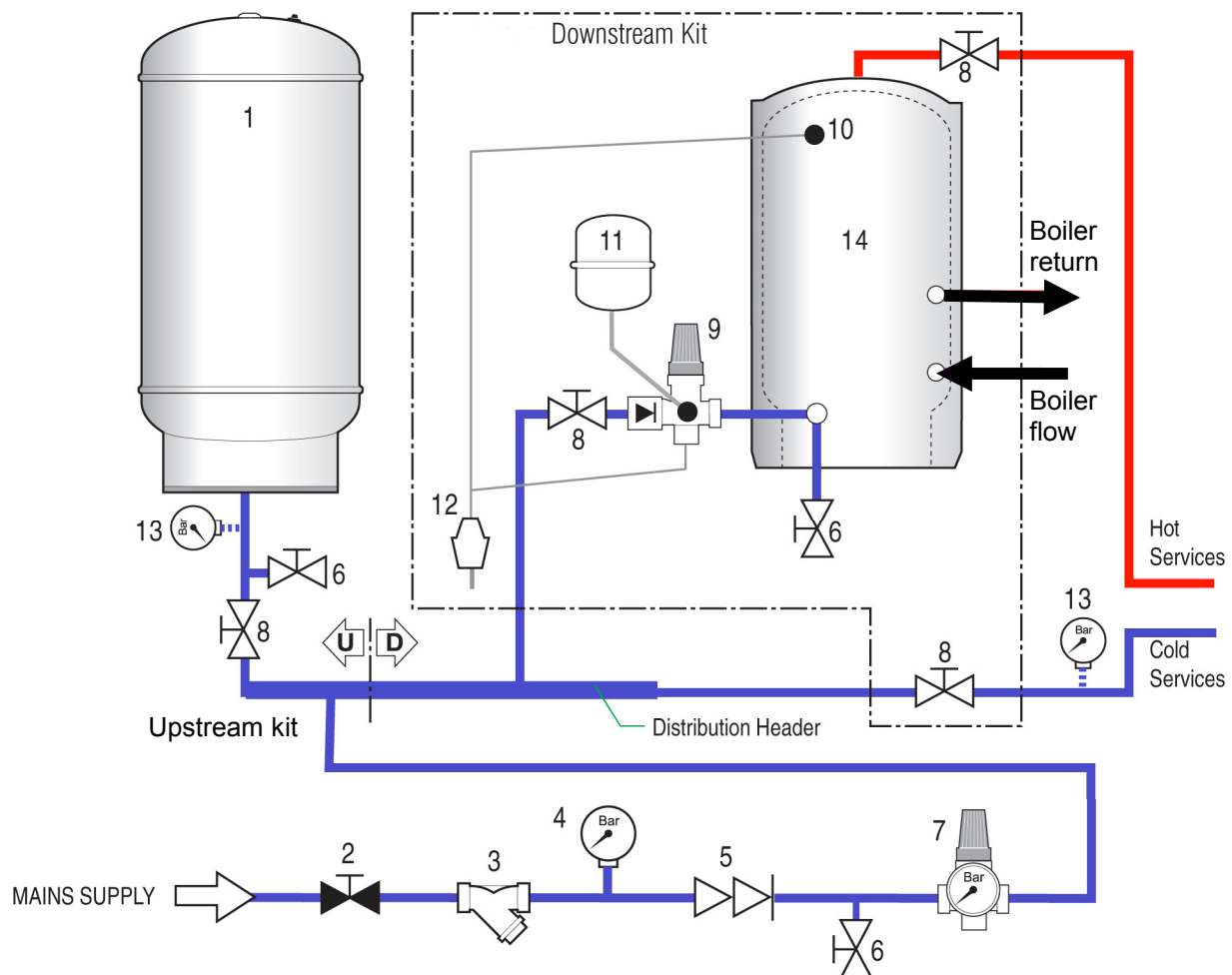
The Oso SuperStream system is supplied with an Oso unvented cylinder and the additional components shown below.

Please follow the diagram below to assemble the system.

The Oso cylinder is supplied configured to operate as a bubble top unvented cylinder, however Oso recommend to obtain the best performance from the SuperStream the cylinder is fully flooded and fitted with a separate expansion vessel (not supplied). Please follow the instructions on page 15 of the Oso installation manual.

The accumulator is supplied with a pre-charge of 1.4bar. Please adjust the pressure reducing valve on the cylinder to deliver 3.2bar pressure. Should the standing pressure in the water main be lower, reduce the pressure in the accumulator to 1.8 bar less than the standing pressure. Accumulator pressure should not be reduced below 0.5bar

Schematic diagram of typical SuperStream system



- | | |
|--------------------------------------|---|
| 1. SuperStream Accumulator Vessel | 8. Full Bore Isolation Valve |
| 2. Stop Cock (not supplied) | 9. Multibloc valve |
| 3. Inline Strainer | 10. Temperature & Pressure Relief Valve |
| 4. Pressure Gauge | 11. Expansion vessel (not supplied) |
| 5. Double Check Valve | 12. Tundish |
| 6. Drain Cock (not supplied) | 13. Extra gauge locations |
| 7. Pressure Reducing Valve c/w gauge | 14. Oso SuperStream Unvented cylinder |

Oso Hotwater UK Ltd
 E15 Marquis Court
 Team Valley Trading Est
 Gateshead
 Tyne & Wear
 NE11 0RU
 Tel 0191 482 0800
 Fax 0191 491 3655
 www.oso-hotwater.com